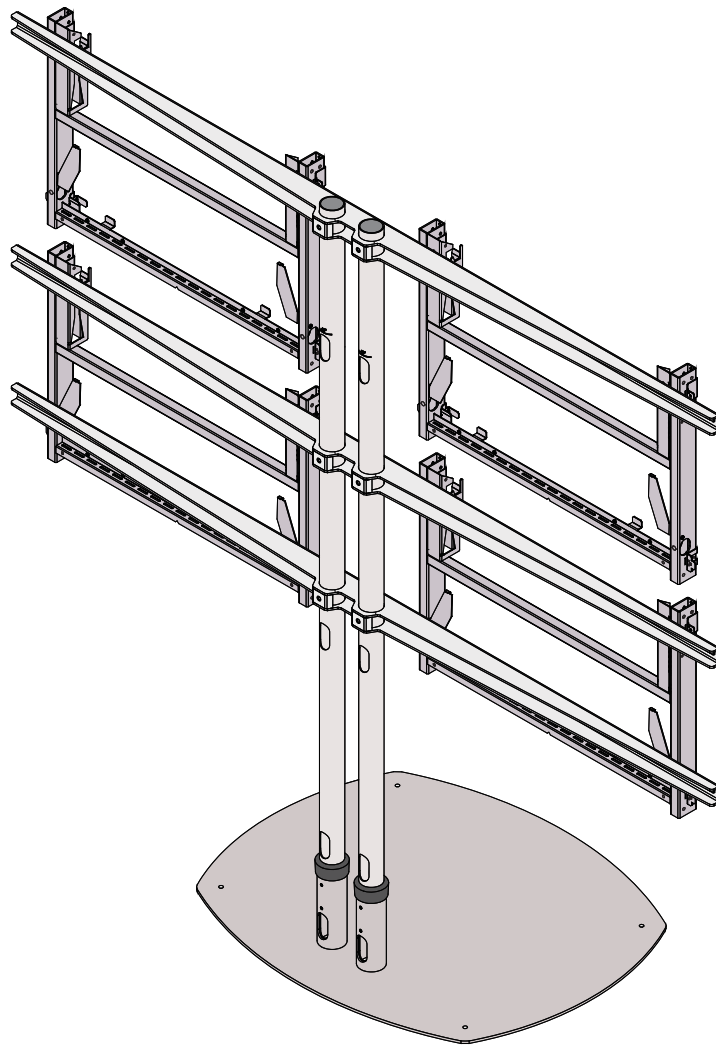




INSTALLATION INSTRUCTIONS



Planar Floor Stand For use with Clarity Matrix Series Flat Panels

Model: 997-6005-00

PLANAR SYSTEMS INC.

1195 NW Compton Dr.
Beaverton, OR 97006
503-748-8989
www.planar.com

9532-000-003-00

Contents

Weight Limit..... 2
 Warning Statements..... 2
 Installation Tools..... 3
 Parts List..... 3
 Features..... 4
 Assembling the Stand..... 5
 Introduction..... 5
 Universal Bracket Installation..... 6
 Planar Mounting Bracket Installation..... 7
 Final Installation..... 9
 Technical Specifications..... 10
 Warranty..... 11
 Disclaimer..... 11

Weight Limit

Maximum Flat Panel Weight: **160 lb.**

THE FLOOR STRUCTURE MUST BE CAPABLE OF SUPPORTING AT LEAST FIVE TIMES THE WEIGHT OF THE FLAT PANEL AND STAND. IF NOT, THE FLOOR STRUCTURE MUST BE REINFORCED.

Warning Statements



PRIOR TO THE INSTALLATION OF THIS PRODUCT, THE INSTALLATION INSTRUCTIONS MUST BE READ AND COMPLETELY UNDERSTOOD. KEEP THESE INSTALLATION INSTRUCTIONS IN AN EASILY ACCESSIBLE LOCATION FOR FUTURE REFERENCE.



PROPER INSTALLATION PROCEDURE BY A QUALIFIED SERVICE TECHNICIAN MUST BE FOLLOWED, AS OUTLINED IN THESE INSTALLATION INSTRUCTIONS. FAILURE TO DO SO COULD RESULT IN PROPERTY DAMAGE, SERIOUS PERSONAL INJURY, OR EVEN DEATH.



SAFETY MEASURES MUST BE PRACTICED AT ALL TIMES DURING THE ASSEMBLY OF THIS PRODUCT. USE PROPER SAFETY EQUIPMENT AND TOOLS FOR THE ASSEMBLY PROCEDURE TO PREVENT PERSONAL INJURY.



PREMIER MOUNTS DOES NOT WARRANT AGAINST DAMAGE CAUSED BY THE USE OF ANY PREMIER MOUNTS PRODUCT FOR PURPOSES OTHER THAN THOSE FOR WHICH IT WAS DESIGNED OR DAMAGE CAUSED BY UNAUTHORIZED ATTACHMENTS OR MODIFICATIONS, AND IS NOT RESPONSIBLE FOR ANY DAMAGES, CLAIMS, DEMANDS, SUITS, ACTIONS OR CAUSES OF ACTION OF WHATEVER KIND RESULTING FROM, ARISING OUT OF OR IN ANY MANNER RELATING TO ANY SUCH USE, ATTACHMENTS OR MODIFICATIONS.



At least two qualified people should perform the assembly procedure. Personal injury and/or property damage can result from dropping or mishandling the projector.



This product is intended for indoor use only. Use of this product outdoors could lead to product failure and/or serious personal injury.



Do not install near sources of high heat. Do not install on a structure that is prone to vibration, movement or chance of impact.



Do not install on a structure that is prone to vibration, movement or chance of impact. Failure to do so could result in damage to the flat panel display and/or damage to the mounting surface.



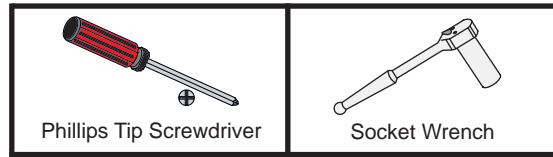
This stand is intended for use only with the maximum weights indicated. Use with products heavier than the maximum weights indicated may result in instability causing possible injury.



Contact Premier Mounts with any questions:
 (800) 368-9700
 techsupport@mounts.com

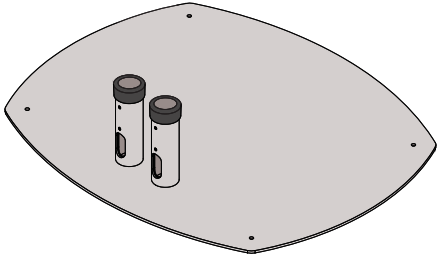
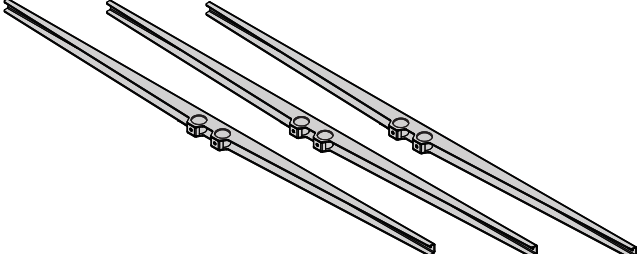
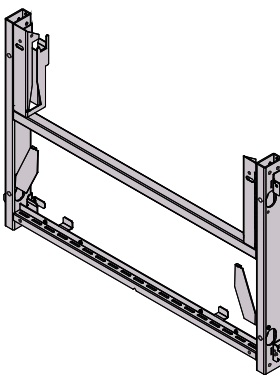
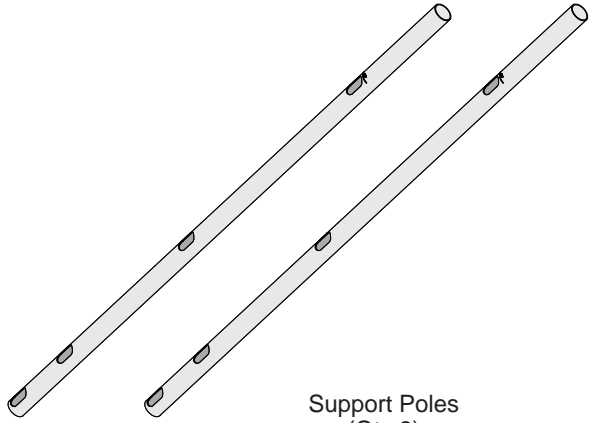

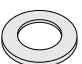
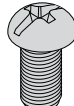


Installation Tools

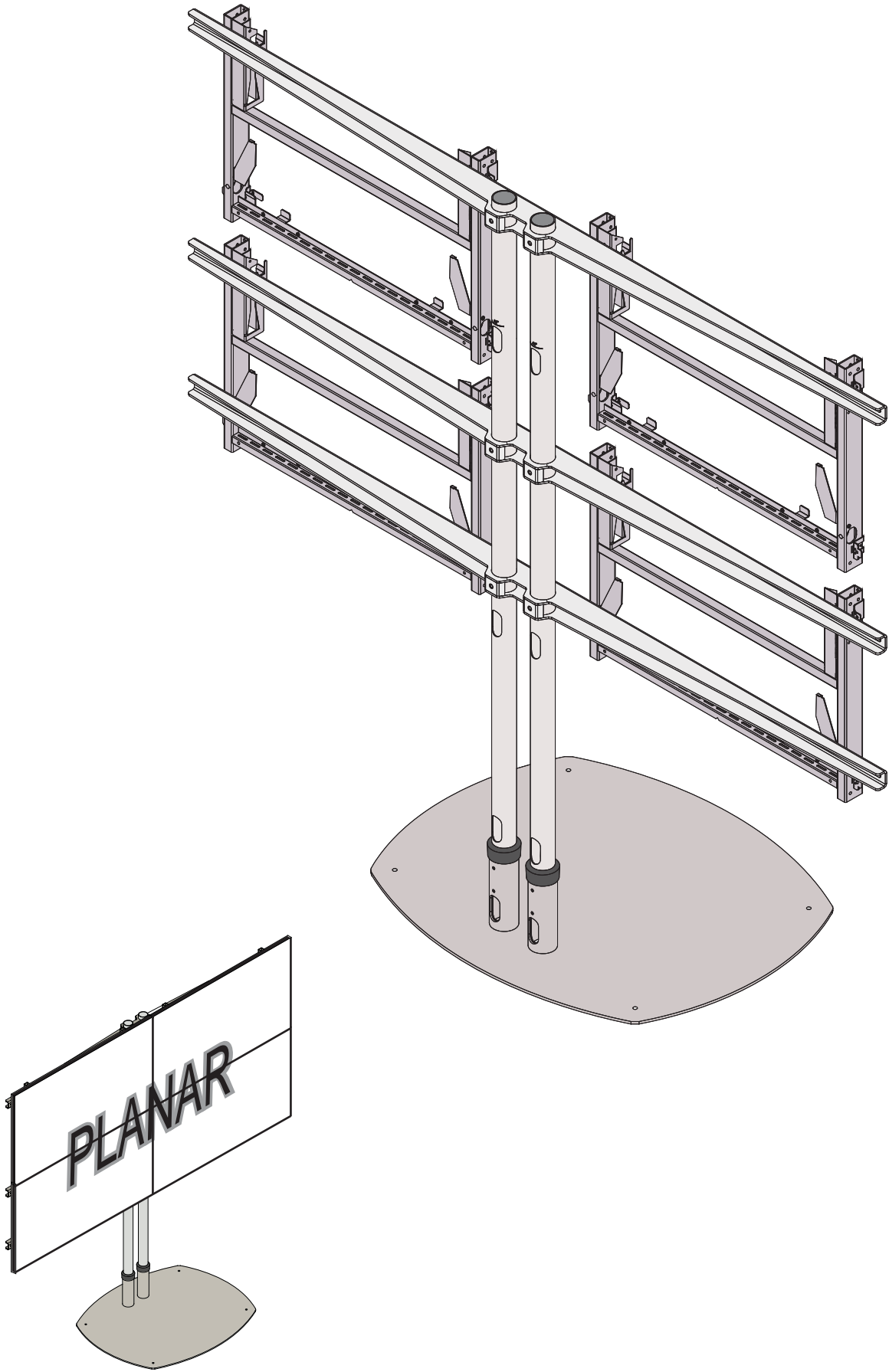
The following tools may be required, dependent upon your particular installation. These tools are not provided by Premier Mounts, but you can purchase them at your local hardware store.



Parts List

Your Premier Mounts product is shipped with all proper installation hardware and components. Make sure that none of these parts are missing and/or damaged before beginning installation. If there are parts missing and/or damaged, please stop the installation and contact Premier Mounts (800) 368-9700.

Nova Mount Hardware		
 <p>Base (Qty 1)</p>	 <p>Universal Brackets (Qty 3)</p>	
 <p>Planar Mounting Bracket - Supplied by Planar (Quantity will depend on application)</p>	 <p>Support Poles (Qty 2)</p>	
 <p>M8 Hex Nut (Qty 8)</p>	 <p>5/16" Flat Washer (Qty 8)</p>	 <p>M8 x 20mm Security Screw (Qty 8)</p>
 <p>M8 x 10mm Set Screw (Qty 10)</p>	 <p>5/32" Allen Wrench (Qty 1)</p>	



Assembling the Stand

Introduction


Please read these installation instructions once thoroughly before attempting to install this product.

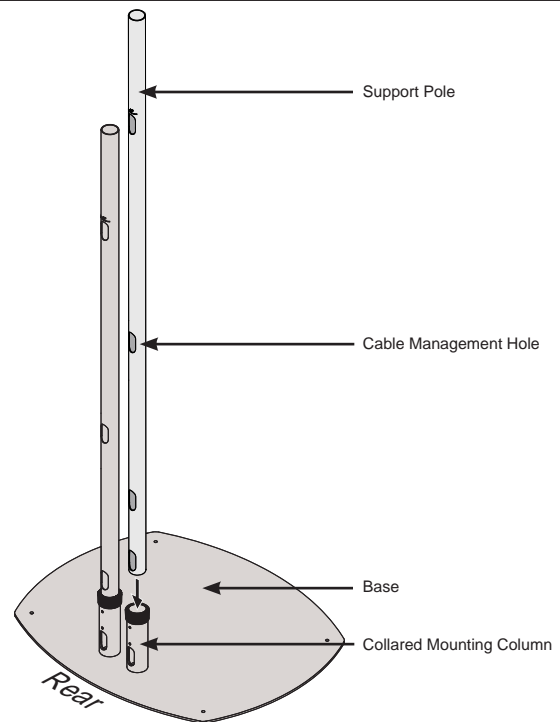
Please take a minute to familiarize yourself with the contents of the package and make sure you have all the parts and tools you need to safely complete the installation.

In addition, some steps of this installation may require two people to prevent personal injury and/or damage to your flat panel. Please observe all warnings in the following installation procedure and utilize proper safety equipment at all times.


Begin assembly of this product by removing all contents from the packaging.

Step 1

- 1 Place the base on a flat surface.
 - 2 Insert two (2) support poles into each collared mounting column.
-  Make sure that the cable management holes are facing to the rear of the base.

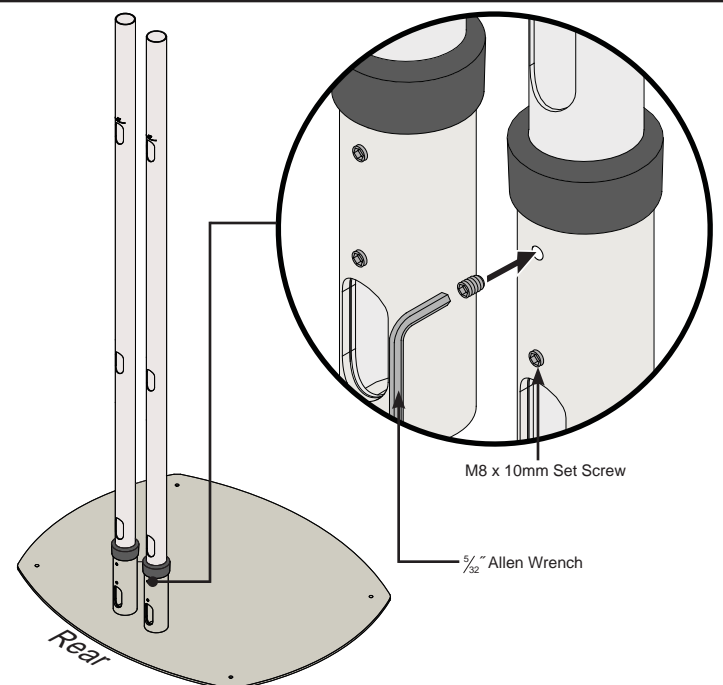


Step 2

-  Make sure the support poles are fully seated in the collared mounting columns with the cable access holes facing the rear of the base before proceeding.

- 1 Insert four (4) M8 x 10mm set screws into the mounting holes (located on the back of each collared mounting column).
- 2 Tighten each set screw with an $\frac{5}{32}$ " Allen wrench (supplied).

Proceed to the "**Universal Bracket Installation**" section.



Universal Bracket Installation

Step 1



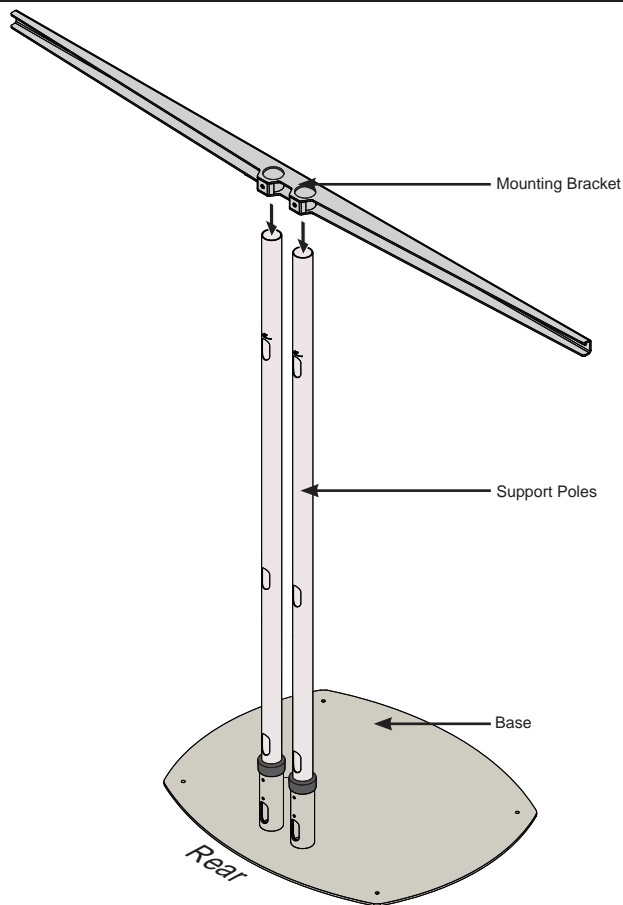
This stand is intended for use only with the maximum weights indicated. Use with products heavier than the maximum weights indicated may result in instability causing possible injury.

- 1 Slide the mounting bracket onto and down the support poles.



Let the mounting brackets rest on the base of the mount until the upper most mounting bracket placement has been determined.

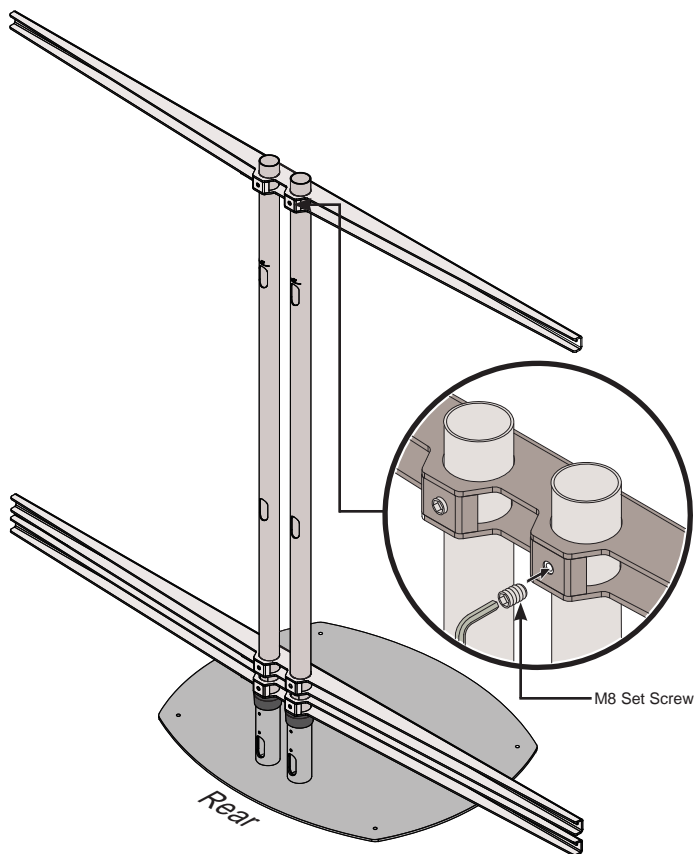
- 3 Measure 1" down from the top of the support pole.
- 4 Mark this point.



Step 2

- 1 Slide the mounting bracket up to the point that was marked in the previous step.
- 2 Insert two (2) M8 x 10mm set screws into the mounting holes (located on the back of the mounting bracket).
- 3 Tighten each set screw with an $\frac{5}{32}$ " Allen wrench (supplied).

Proceed to the "**Planar Mounting Bracket Installation**" section.



Planar Mounting Bracket Installation

Step 1

- 1 Place the Planar mounting bracket against the upper mounting bracket.

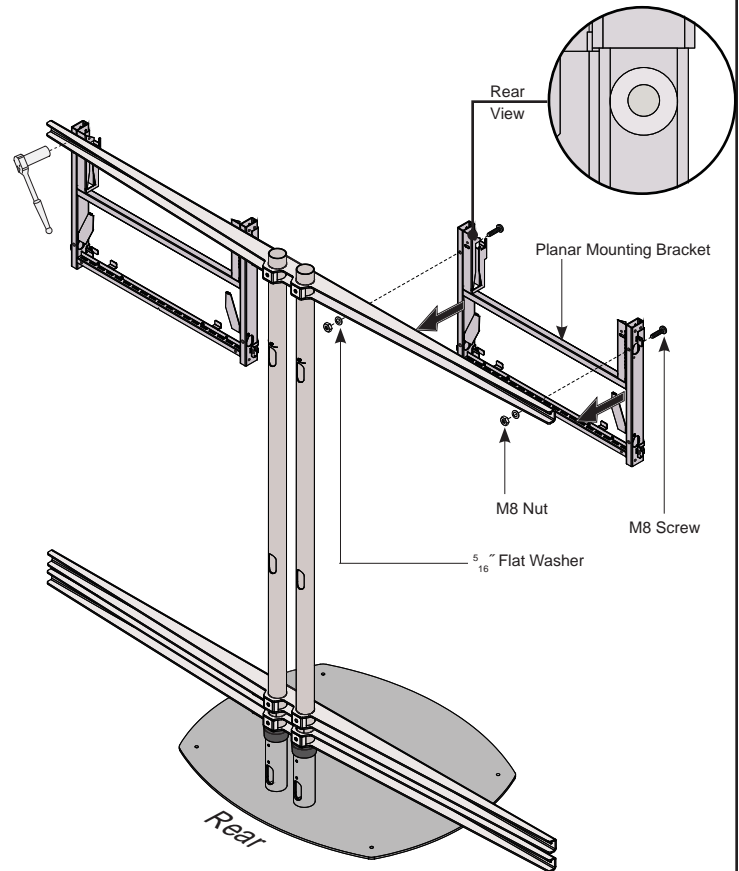


Please refer to the inset to determine which side has the mounting holes. The rear view shows a larger diameter hole with a smaller diameter hole inside. The M8 screw will be inserted through this hole and through the mounting slots on the mounting bracket.

- 2 Align the holes to the mounting slots on the mounting bracket.
- 3 Insert two (2) M8 screws (1 per side) through the mounting holes and then through the mounting slots on the mounting brackets.
- 4 Thread two (2) flat washers (1 per side) and two (2) M8 nuts (1 per side) onto the M8 screw.
- 5 Use a socket wrench to tighten the M8 nuts.



Do not overtighten the M8 nuts at this time.



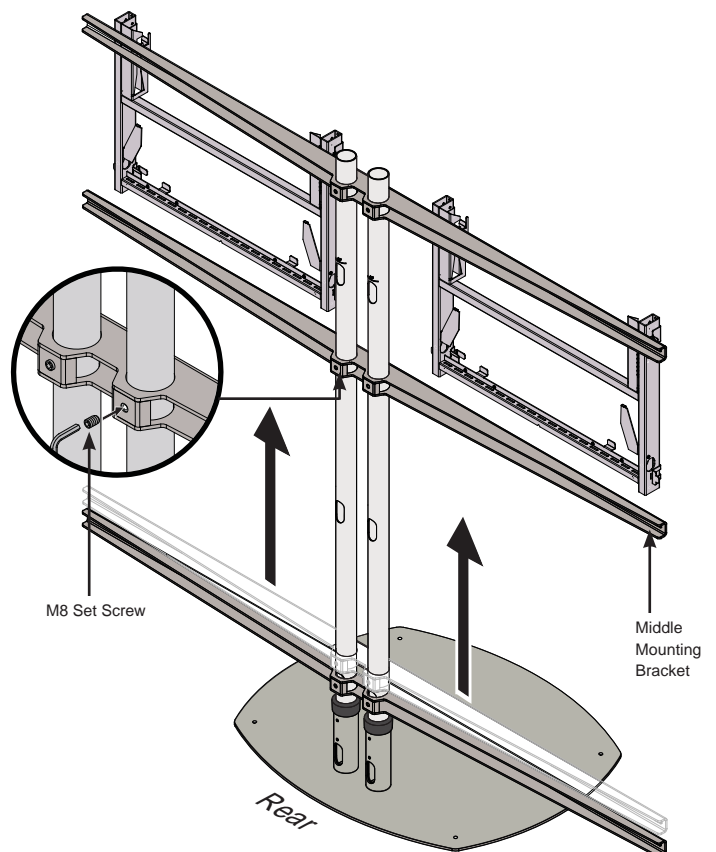
Step 2

- 1 Slide the middle mounting bracket up the support poles.



Determine the space needed between the mounting brackets. This information will be found in the flat panel owner's manual.

- 2 Insert two (2) M8 x 10mm set screws into the mounting holes (located on the back of the mounting bracket).
- 3 Tighten each set screw with an $\frac{5}{32}$ " Allen wrench (supplied).



Step 3

- 1 Place the Planar mounting bracket against the middle mounting bracket.

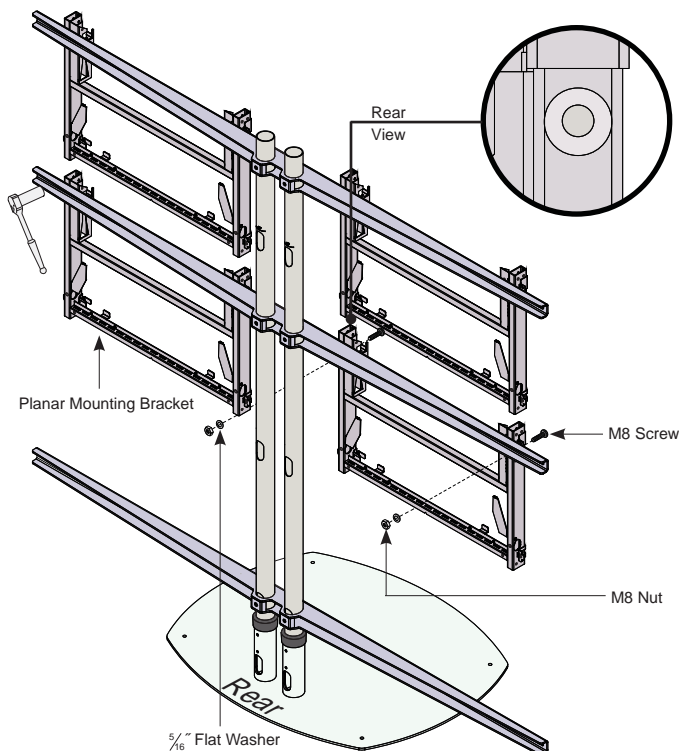


Please refer to the inset to determine which side has the mounting holes. The rear view shows a larger diameter hole with a smaller diameter hole inside. The M8 screw will be inserted through this hole and through the mounting slots on the mounting bracket.

- 2 Align the holes to the mounting slots on the mounting bracket.
- 3 Insert two (2) M8 screws (1 per side) through the mounting holes and then through the mounting slots on the mounting brackets.
- 4 Thread two (2) flat washers (1 per side) and two (2) M8 nuts (1 per side) onto the M8 screw.
- 5 Use a socket wrench to tighten the M8 nuts.



Do not overtighten the M8 nuts at this time.



Step 4

- 1 Slide the bottom mounting bracket up the support poles.



Determine the space needed between the mounting brackets. This information will be found in the flat panel owner's manual.

- 2 Insert two (2) M8 x 10mm set screws into the mounting holes (located on the back of the mounting bracket).
- 3 Tighten each set screw with an $\frac{5}{32}$ " Allen wrench (supplied).
- 4 Place the Planar mounting bracket against the bottom mounting bracket.

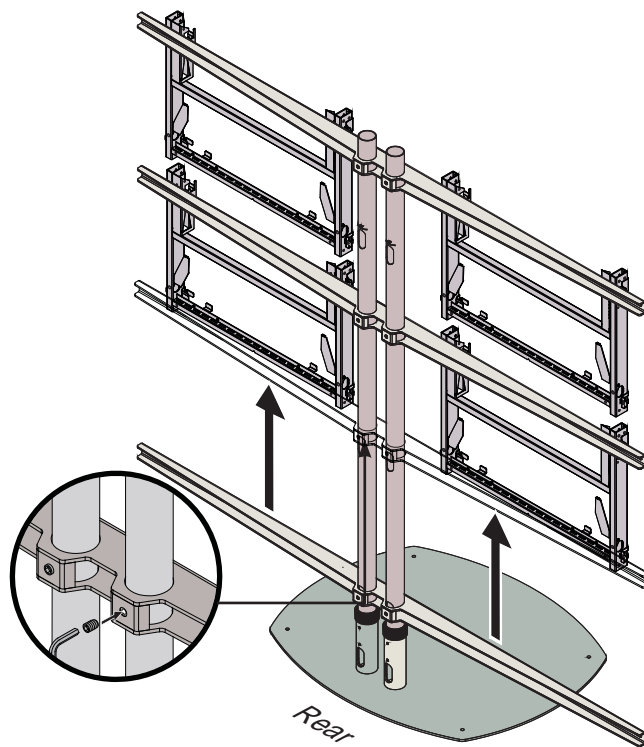


Please refer to the inset to determine which side has the mounting holes. The rear view shows a larger diameter hole with a smaller diameter hole inside. The M8 screw will be inserted through this hole and through the mounting slots on the mounting bracket.

- 5 Align the holes to the mounting slots on the mounting bracket.
- 6 Insert two (2) M8 screws (1 per side) through the mounting holes and then through the mounting slots on the mounting brackets.
- 7 Thread two (2) flat washers (1 per side) and two (2) M8 nuts (1 per side) onto the M8 screw.
- 8 Use a socket wrench to tighten the M8 nuts.

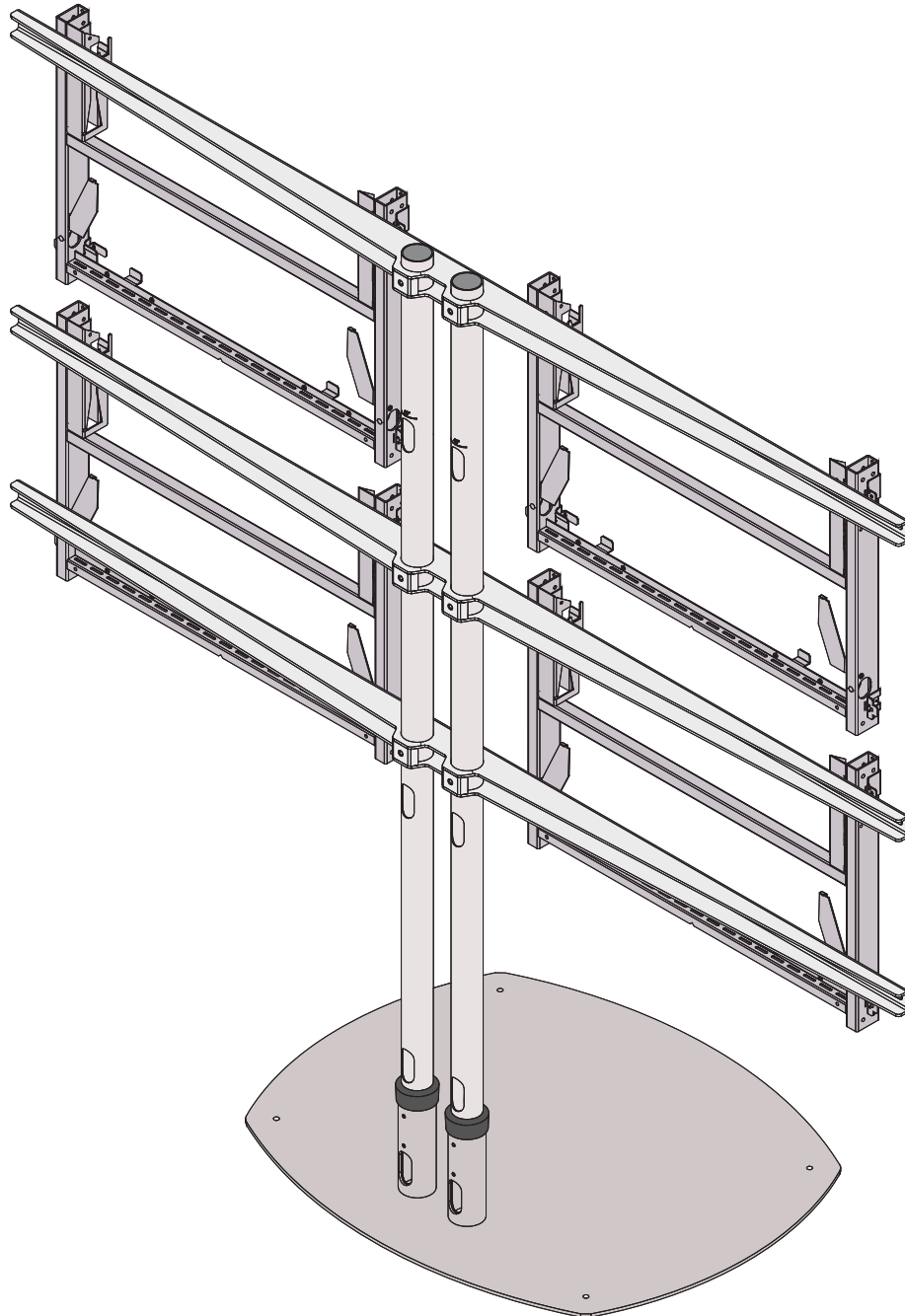


Tighten ALL hardware at this time.



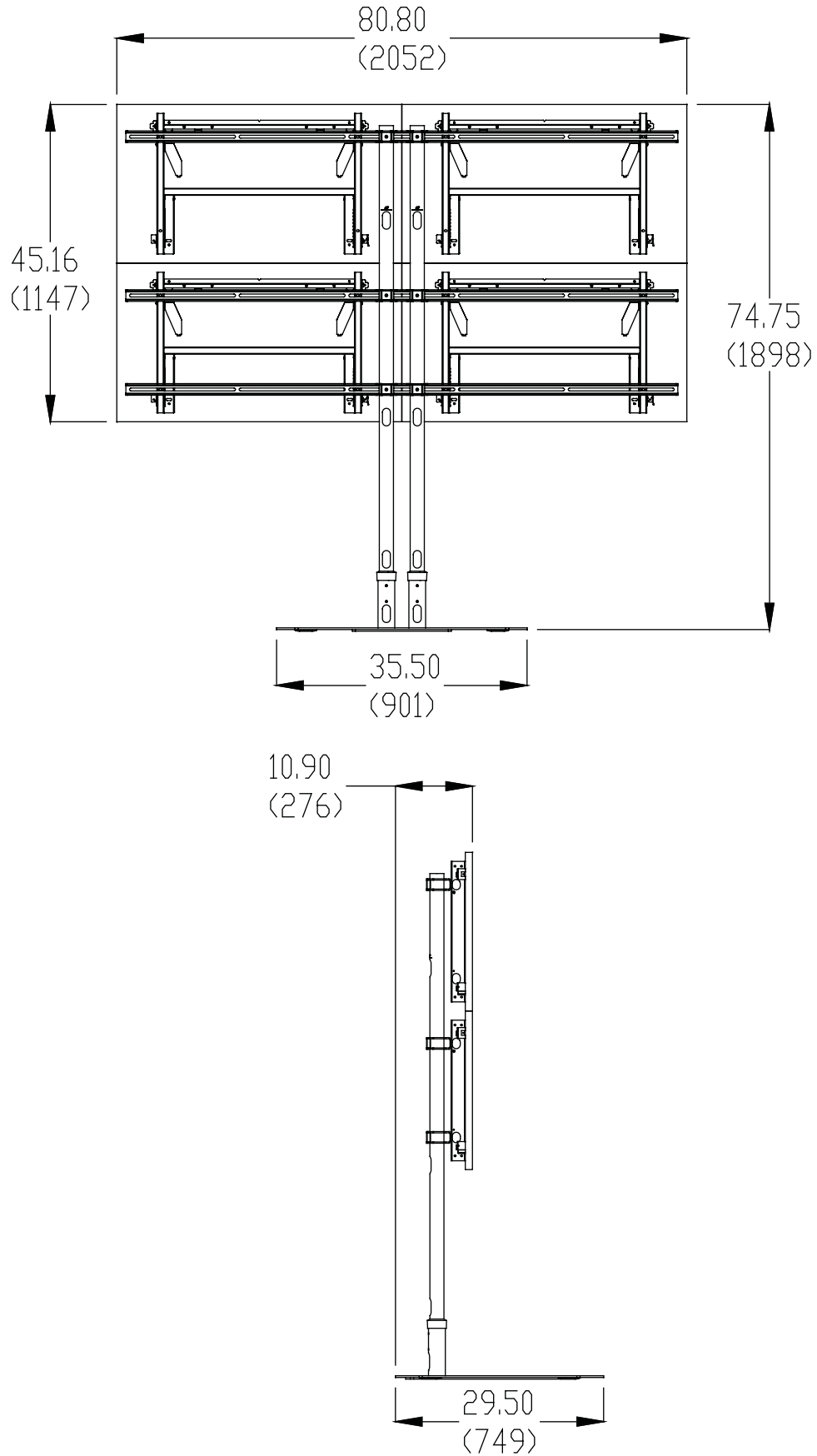
Final Installation

Please review Planar's installation instructions for the Clarity Matrix. These installation instructions will help you in completing the 997-6005-55 installation. Please read all Warning and Caution statements before completing the installation.



Technical Specifications

All measurements are in inches(mm).



Warranty

PREMIER MOUNTS LIMITED LIFETIME WARRANTY

What and Who is Covered by this Limited Warranty and for How Long

Premier Mounts warrants this product to be free from defects in material and workmanship for the lifetime of the original owner of this product. The limited warranty is valid only for the original purchaser of the product.

What Premier Mounts Will Do

At the sole option of Premier Mounts, Premier Mounts will repair or replace any product or product part that is defective. If Premier Mounts chooses to replace a defective product or part, a replacement product or part will be shipped to you at no charge, but you must pay any labor costs.

What is Not Covered; Limitations

PREMIER MOUNTS DISCLAIMS ANY LIABILITY FOR DAMAGE TO MOUNTS, ADAPTERS, DISPLAYS, PROJECTORS, OTHER PROPERTY, OR PERSONAL INJURY RESULTING, IN WHOLE OR IN PART, FROM IMPROPER INSTALLATION, MODIFICATION, USE OR MISUSE OF ITS PRODUCTS.

PREMIER MOUNTS DISCLAIMS ALL OTHER WARRANTIES, EXPRESS OR IMPLIED, INCLUDING WARRANTIES OF MERCHANTABILITY AND FITNESS FOR A PARTICULAR PURPOSE. PREMIER MOUNTS IS NOT RESPONSIBLE FOR INCIDENTAL OR CONSEQUENTIAL DAMAGES, INCLUDING BUT NOT LIMITED TO, INABILITY TO USE ITS PRODUCTS OR LABOR COSTS FOR REMOVING AND REPLACING DEFECTIVE PRODUCTS OR PARTS. SOME STATES DO NOT ALLOW THE EXCLUSION OR LIMITATION OF INCIDENTAL OR CONSEQUENTIAL DAMAGES, SO THE ABOVE LIMITATION OR EXCLUSION MAY NOT APPLY TO YOU.

What Customers Must Do for Limited Warranty Service

If you discover a problem that you think may be covered by the warranty you MUST REPORT it in writing to the address below within thirty (30) days. Proof of purchase (an original sales receipt) from the original consumer purchaser must accompany all warranty claims. Warranty claims must also include a description of the problem, the purchaser's name, address, and telephone number. General inquiries can be addressed to Premier Mounts Customer Service at 1-800-368-9700. Warranty claims will not be accepted over the phone or by fax.

Premier Mounts
Attn: Warranty Claim
3130 East Miraloma Ave.
Anaheim, CA 92806

How State Law Applies

THIS WARRANTY GIVES YOU SPECIFIC LEGAL RIGHTS, AND YOU MAY ALSO HAVE OTHER RIGHTS WHICH VARY FROM STATE TO STATE.

Disclaimer

Premier Mounts intends to make this manual accurate and complete. However, Premier Mounts makes no claim that the information contained herein covers all details, conditions or variations, nor does it provide for every possible contingency in connection with the installation or use of this product. The information contained in this document is subject to change without notice or obligation of any kind. Premier Mounts makes no representation of warranty, expressed or implied, regarding the information contained herein. Premier Mounts assumes no responsibility for accuracy, completeness or sufficiency of the information contained in this document.