

ART Controller



Suitable for all ARTTRACK and TRACKPACK systems

The ART Controller can operate and power up to 8 cameras of type ARTTRACK5 & ARTTRACK6/M or TRACKPACK/E directly. More cameras are supported by switches (ARTTRACK5 & ARTTRACK6/M) or via cascading (TRACKPACK/E).

The controller comes in a rack-mountable (19") housing and can also be placed on a table for example – there are rubber feet at its bottom.

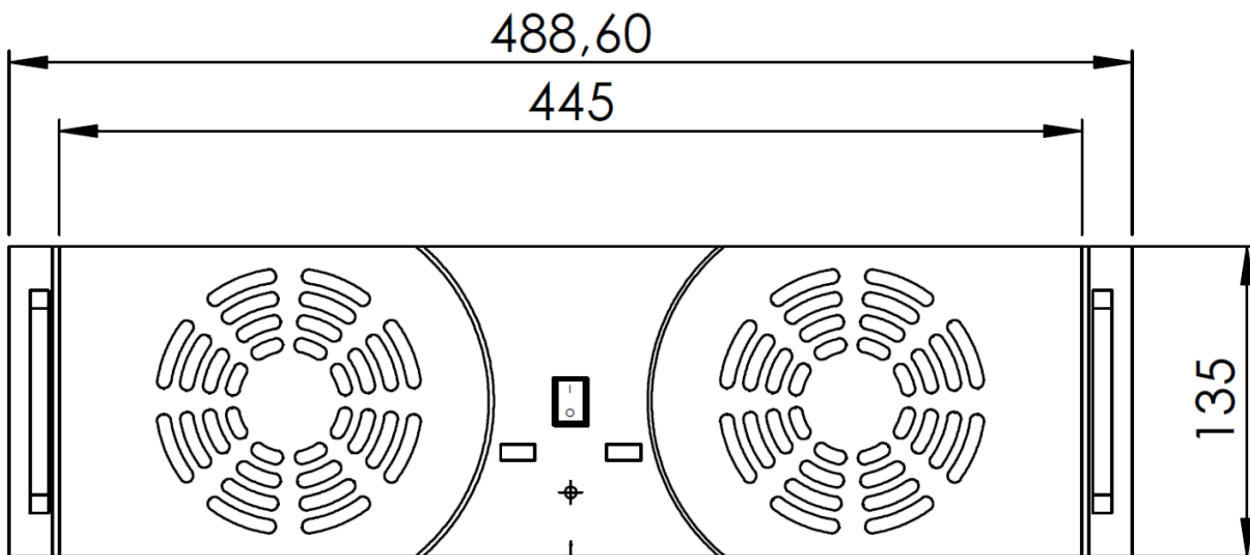
Power Supply	
Voltage	100 - 240 V
Power consumption	max. 425 W
Connectors	
Synchronisation in	BNC: Video Signal (75 Ω), TTL, LVTTL
Synchronisation out (optional)	BNC: Video Signal (75 Ω)
Mains in	100 - 240 V
Data in / out	2x RJ45, Gigabit Ethernet (LAN, optional Cascade)
Camera ports	8x RJ45, Gigabit Ethernet, PoE+ (IEEE 802.3at-2009)
Peripherals	6 x USB 2.0 (e.g. Radio Transceiver2/3, service access)
Operating Conditions	
Temperature	0 ... 38°C
Dimensions	
Size (W x H x D)	480 x 135 x 345 mm (3U)
Weight	approx. 9.8 kg

Certifications
<ul style="list-style-type: none">• CE• FCC Part 15 B, Class B• TÜV SÜD NRTL

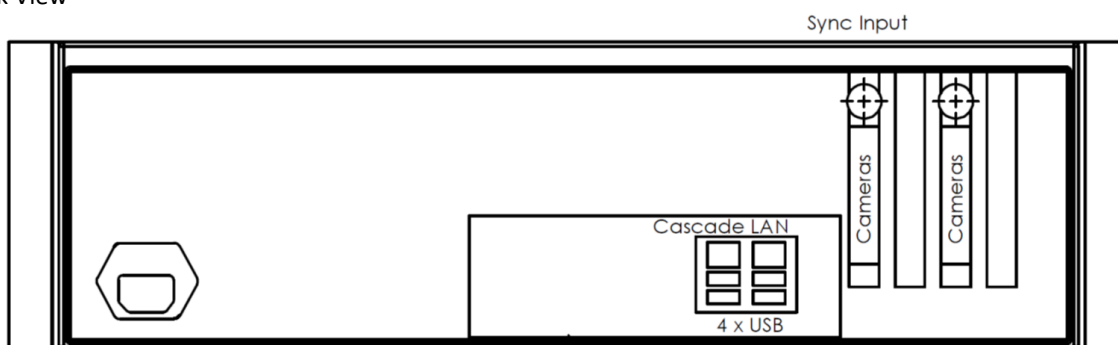
Technical Drawing

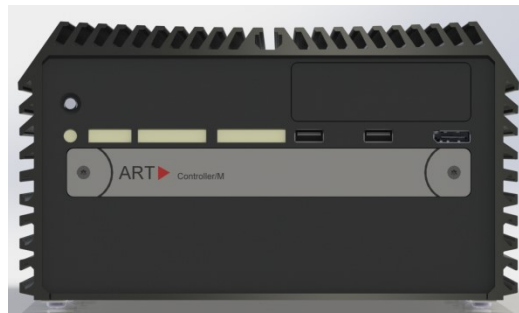
all dimensions in [mm] unless otherwise specified

Front View



Back View





Suitable for all Compact Tracking Systems

The ART Controller/M was developed with special attention to the requirements of system integration. Compact size, robust construction, solid mounting possibilities and different power supplies make it the perfect solution for applications such as in-vehicle tracking or simulations on moving platforms.

The ART Controller/M can operate and power up to 8 cameras of type ARTTRACK5 & ARTTRACK6/M or TRACKPACK/E directly.

Technical Data

Available external power supplies		
AC power supply	100 – 240 V 47 - 63 Hz	160 W
DC power supply	9-36 V (ignition control available)	140 W
Connectors		
Synchronisation in	BNC: Video Signal (75 Ω), TTL, LVTTTL	
Synchronisation out	BNC: Video Signal (75 Ω)	
Power in	48 V DC	
Data in / out	2x RJ45, Gigabit Ethernet (LAN, optional Cascade)	
Camera ports	8x RJ45, Gigabit Ethernet, PoE+ (IEEE 802.3at-2009)	
Peripherals	8x USB (e.g. Radio Transceiver2/3, service access) 1x external fan connector	
Operating conditions		
Cooling	active internal fan (back) external fan (top) available for warm environments	
Temperature	0 ... 45°C	
Dimensions		
Size (W x H x D)	227 x 126 x 261 mm	
Weight	approx. 5.2 kg	
Certifications		
<ul style="list-style-type: none">▪ CE▪ FCC Part 15 B, Class A▪ Railway<ul style="list-style-type: none">- EN50155- EN50121-3-2▪ Automotive e-mark [e13]		

Technical Drawing

all dimensions in [mm] unless otherwise specified

Unit: mm

