

LEYARD VERSALIGHT SERIES OVERVIEW

June 2018

LEYARD. PLANAR.

Leyard® VersaLight™ Series

Indoor & Outdoor LED Video Wall

- Indoor and outdoor video wall displays available in a range of pitches
- Compact cabinet and modular design fits more wall sizes and display areas in landscape or portrait orientation
- Quick-install, self-supporting mounts cover the gamut of installation strategies including wall, hanging, stacking and ceiling-mounting with a 2x2 mount (1.5 x 3ft) or 1x1 mount (0.8 x 1.5ft)
- Full front-access installation and service on all models
- Stunning picture quality, ultra-reliable 24/7-ready performance and intuitive LED health and system status monitoring
- ADA-compliant installation depth of less than 4 inches



240x480mm LED cabinets in 1x1 or 2x2 mounts for incredible modularity

Indoor: 2.5, 4.0, 6.0

Outdoor: 4.0, 6.0, 8.0

Why Leyard VersaLight Series?

Market Needs

- Affordable standard pixel pitch range of 2.5 to 8.0mm
- Full front-installation and service
- Small cabinet structure for retail signage applications
- Slim-profile outdoor standard pitch product
- Window-facing or high ambient light environment solution
- Bonus Features:
 - Multi-functional mount structure for wall-mounting, ceiling-mounting, hanging or stacking
 - Optional quick-lock mount hardware for rental applications

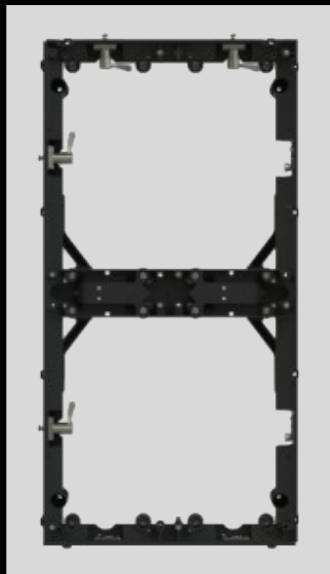


System Components



Cabinet

- 240 x 480 mm
- Mount to 1x1, 2x2 or custom
- Portrait or *landscape versions
- Protection rating of IP30 (Indoor) and IP65 (Outdoor)



2x2 Mount

- Die-cast aluminum
- Optional quick-lock hardware for rental applications
- Wall or ceiling mounting, hanging and stacking
- Portrait or landscape support



Assembled 2x2 Mount

- Holds 4 cabinets
- 480x960mm
- 1x1 mount also available



Sender and Control Software

- Simple, intuitive I/O layout
- iSet control software for Windows®
- Within 2.3M pixel loading capacity, odd resolutions up to 4095 pixels wide or 2560 pixels high can be supported
- Fiber option

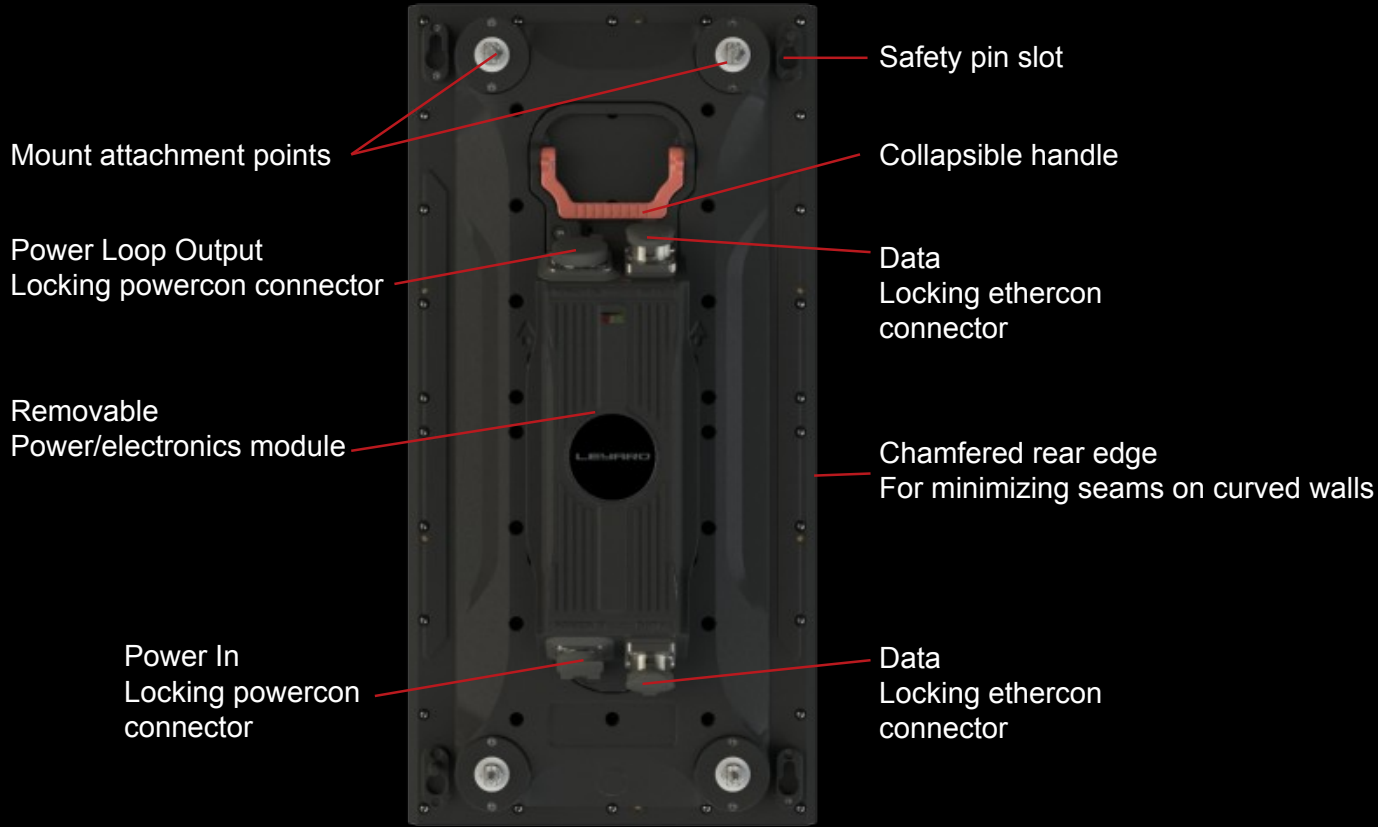
Leyard VersaLight Series Terminology



Leyard VersaLight Series Overview

Models	VLI 2.5	VLI 4.0	VLI 6.0	VLO 4.0	VLO 6.0	VLO 8.0

Leyard VersaLight Series Indoor Cabinet – Rear View



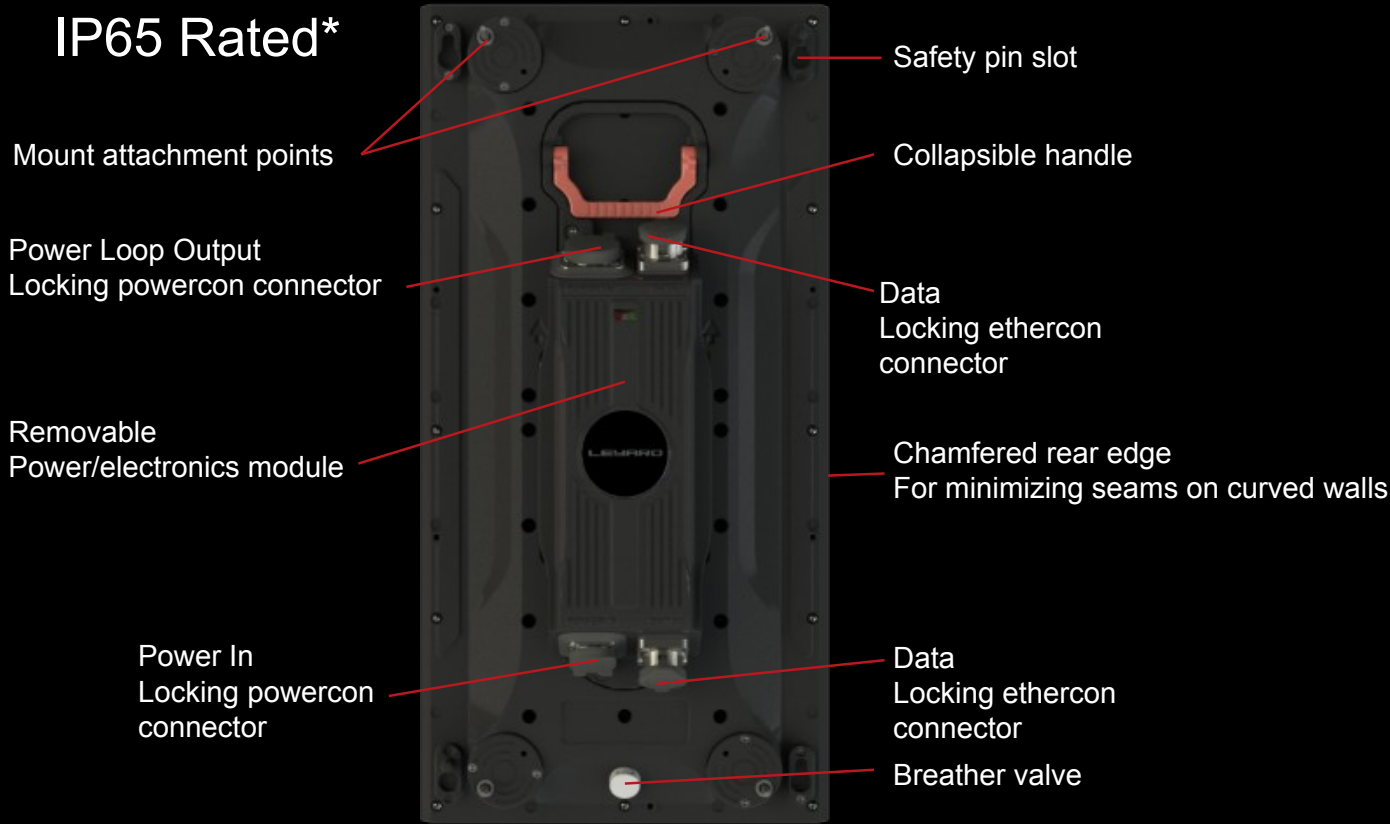
Cabinet Resolutions			
Model	Pitch	W	H
VLI2.5	2.50	96	192
VLI4.0	4.00	60	120
VLI6.0	6.00	40	80

Compact 240 x 480mm cabinet can be attached to:

- 2x2 VersaLight mount
- 1x1 VersaLight mount
- Custom frames for curved-wall applications

Leyard VersaLight Series Outdoor Cabinet – Rear View

IP65 Rated*

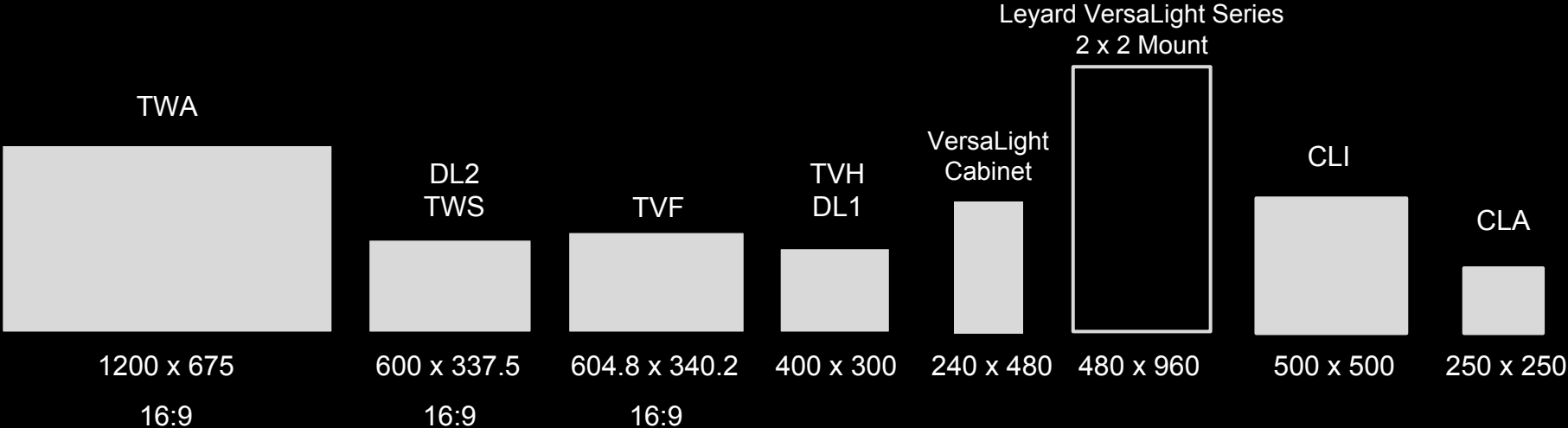


Cabinet Resolutions			
Model	Pitch	W	H
VLO4.0	4.0	60	120
VLO6.0	6.00	40	80
VLO8.0	8.00	30	60

Compact 240 x 480mm cabinet can be attached to:

- 2x2 VersaLight mount
- 1x1 VersaLight mount
- Custom frames for curved-wall applications

Cabinet Size Comparison



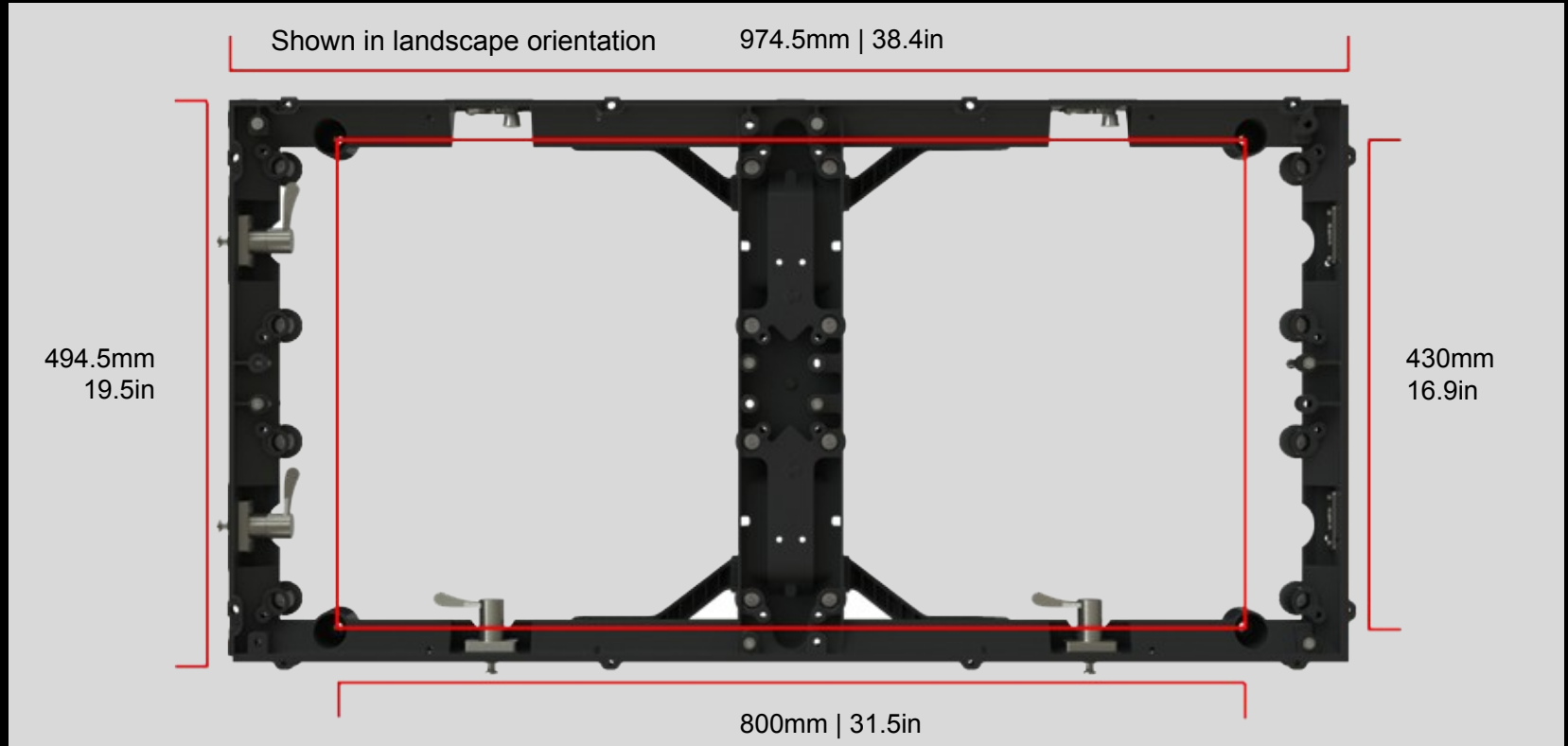
Mounting System for Leyard VersaLight Series

Front and Universal Access Installation and Service

- Versatile mechanical design supports a wide range of installation requirements including:
 - Wall-mounting
 - Ceiling-mounting
 - Hanging
 - Stacking
- Die-cast aluminum construction
- Optional cam-action, quick-lock hardware
- Removable rear handles
- Landscape or portrait support
- Available in 2x2 or 1x1 configurations
- ADA-compliant installation depth (< 4")

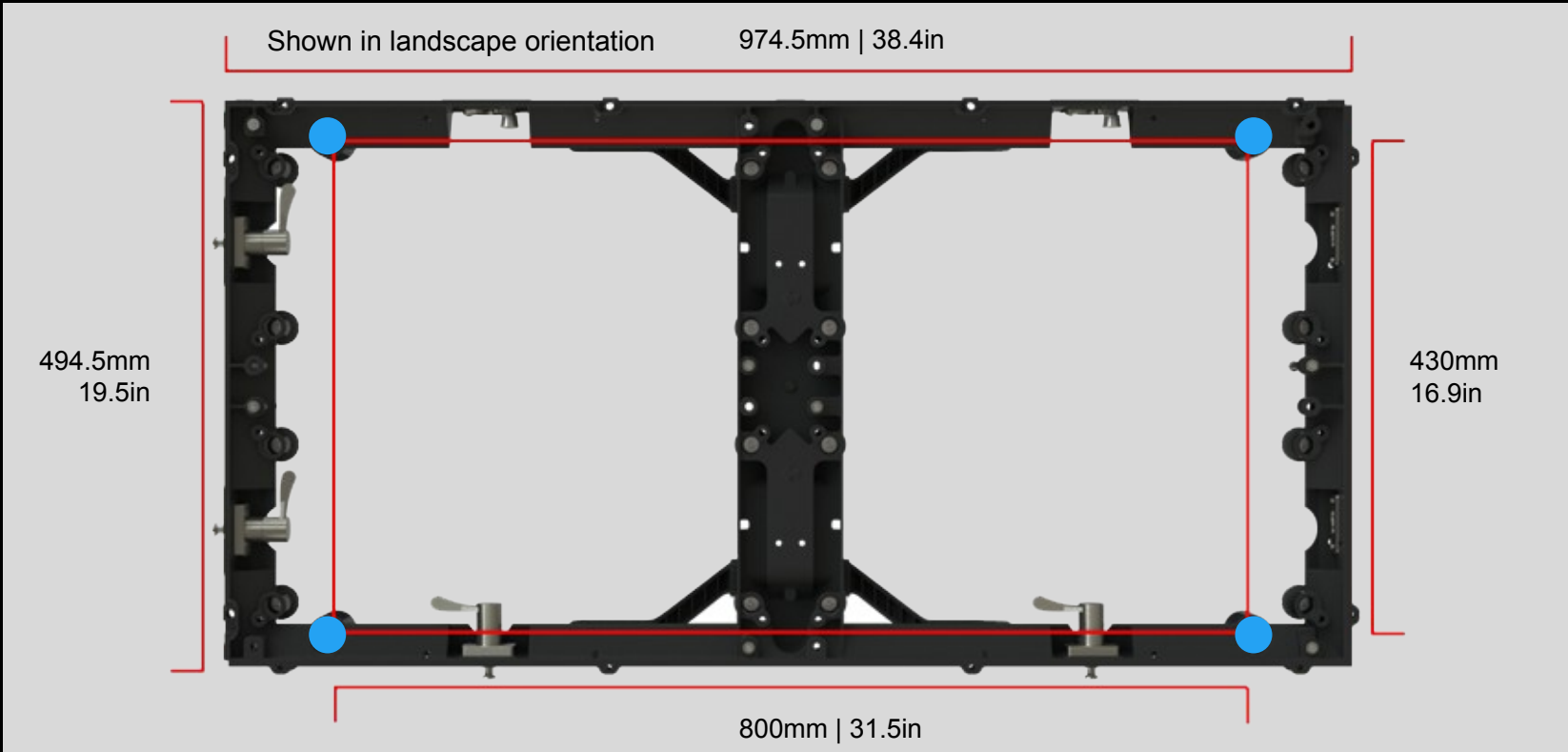


Mounting System for Leyard VersaLight Series



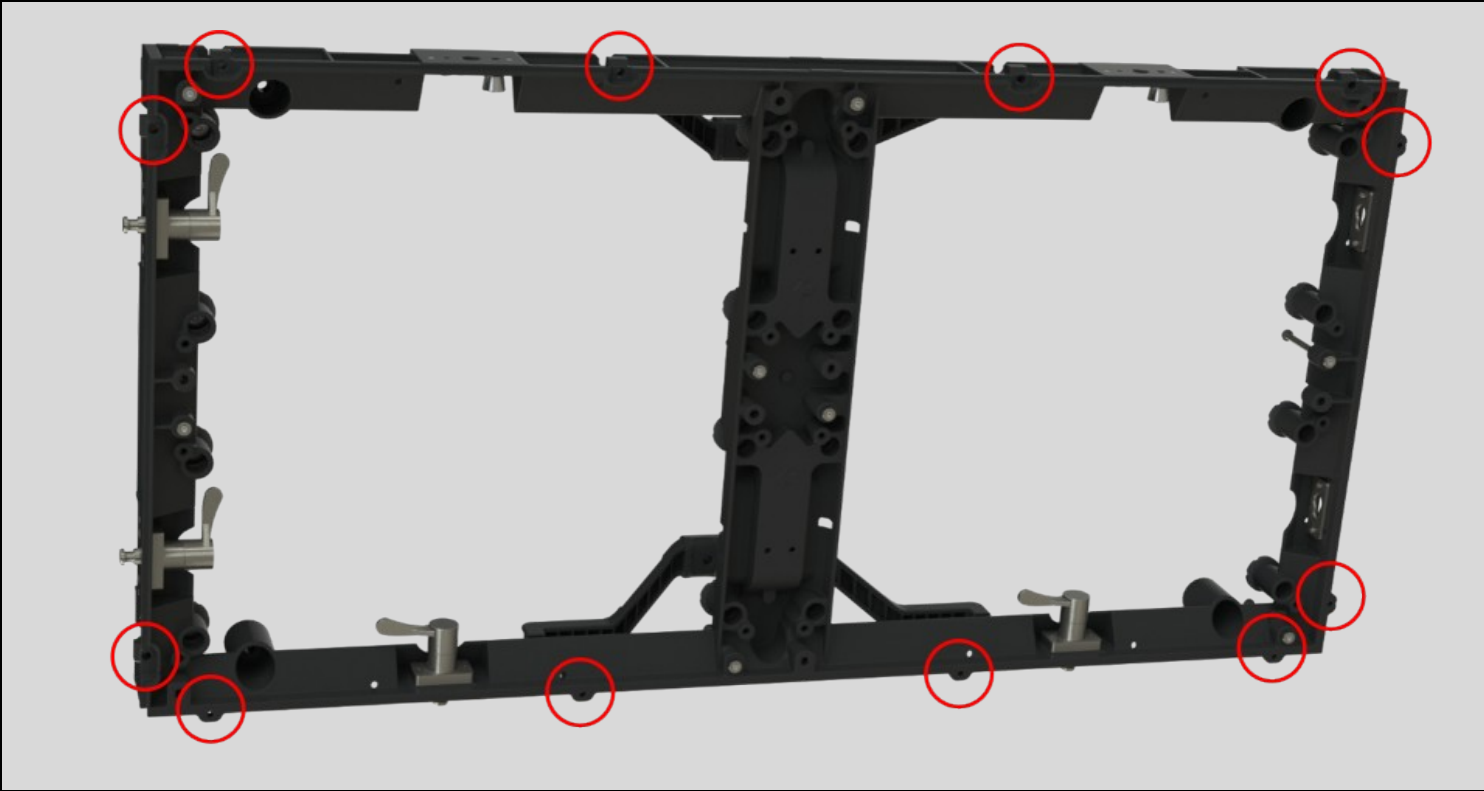
Mount depth = 75 mm / 2.9" without rear handles 113 mm / 4.5" with rear handles

Mounting System for Leyard VersaLight Series



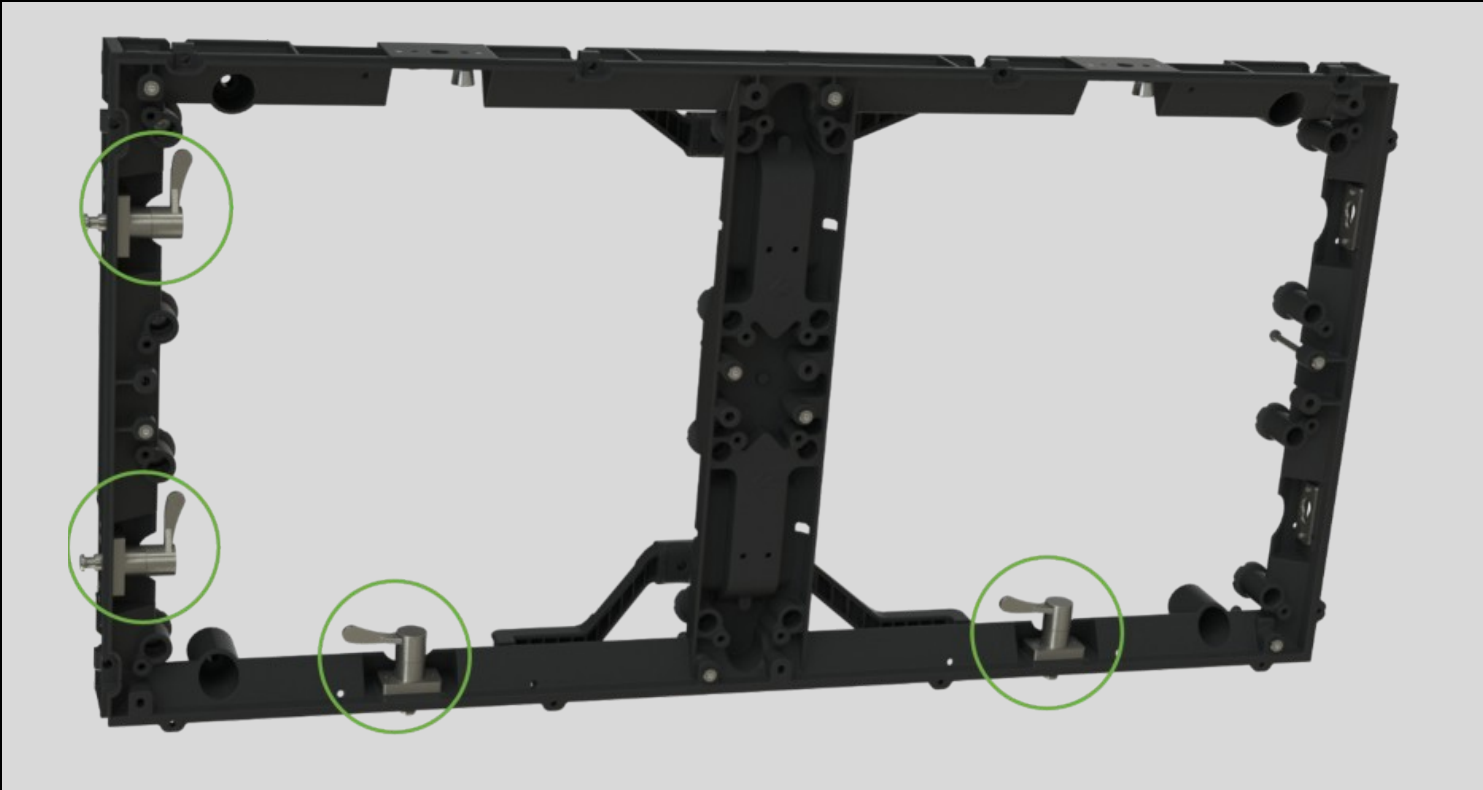
● Wall attachment points. M6 recommended for front installation, M10 machine screw for rear-installation

Mounting System for Leyard VersaLight Series



○ Mount alignment pin positions

Mounting System for Leyard VersaLight Series

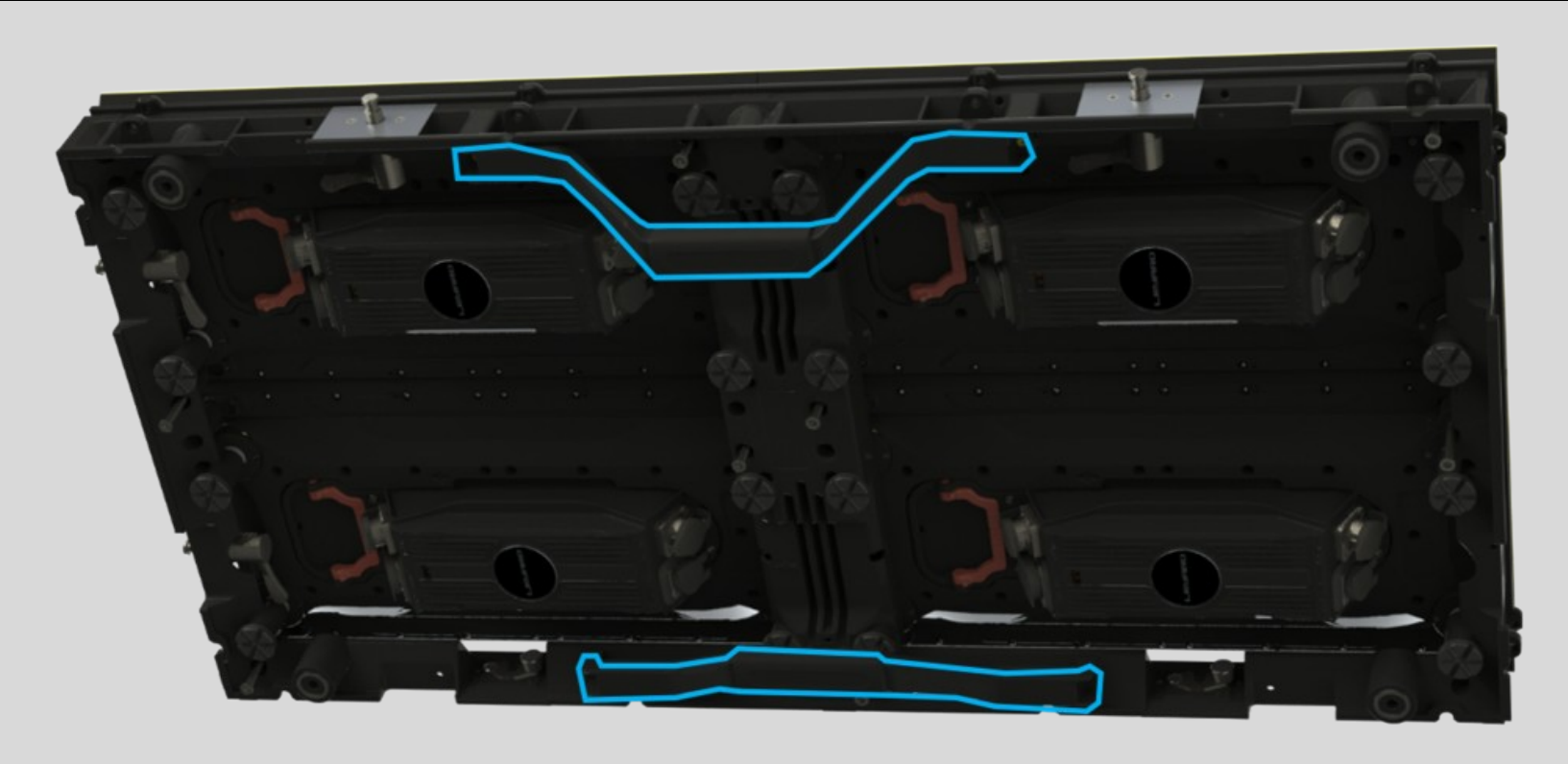


○ Optional cam-action quick-lock hardware for rental and staging applications

Mounting System for Leyard VersaLight Series



Mounting System for Leyard VersaLight Series



— Removable rear handles

Options and Ordering

4 Versions

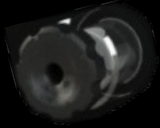
	Indoor	Outdoor
Standard	<ul style="list-style-type: none">Indoor Cabinet Portrait or landscape **Standard Mount *1x1 or 2x2	<ul style="list-style-type: none">Outdoor Cabinet Portrait or landscape **Standard Mount *1x1 or 2x2
Rental	<ul style="list-style-type: none">Indoor Cabinet Portrait or landscape **Rental Mount *1x1 or 2x2	<ul style="list-style-type: none">Outdoor Cabinet Portrait or landscape **Rental Mount *1x1 or 2x2

*Walls are ordered as configured systems. Qty and mount size determined in configuration.

** Landscape cabinets are available in VLI2.5 and VLO4.0 only

Cabinet Service and Installation

■ Magnetic tool (front)



■ Hex tool (front)



■ Driver tool (rear)



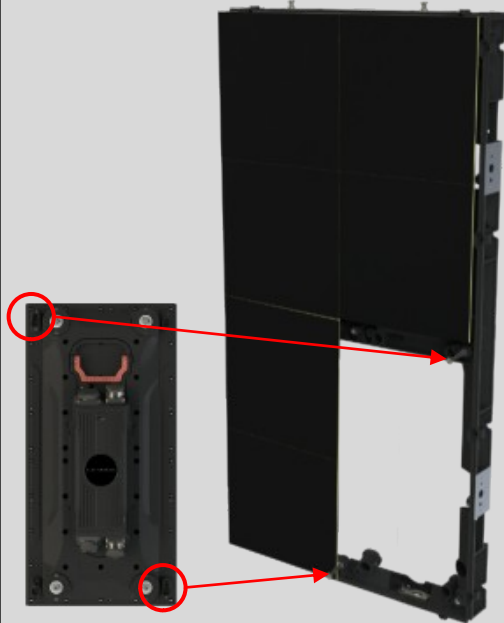
	Indoor	Outdoor
Standard	<p>Full Front Service</p> <ul style="list-style-type: none"> ▪ 2.5 ■ ▪ 4.0 ■ ▪ 6.0 ■ 	<p>Universal Service</p> <ul style="list-style-type: none"> ▪ 4.0 ■ ■ ▪ 6.0 ■ ■ ▪ 8.0 ■ ■
Rental	<p>Full Front Service</p> <ul style="list-style-type: none"> ▪ 2.5 ■ ▪ 4.0 ■ ▪ 6.0 ■ 	<p>Universal Service</p> <ul style="list-style-type: none"> ▪ 4.0 ■ ■ ▪ 6.0 ■ ■ ▪ 8.0 ■ ■

Leyard VersaLight Series Cabinet Installation/Service

Indoor 2.5, 4.0, 6.0 – Standard and Rental Versions are ■ Front-Access Only



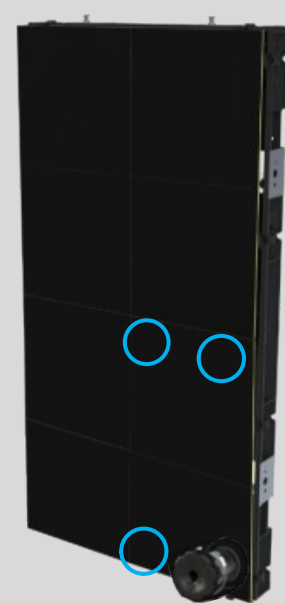
Extend captive safety pins out from mount



- Attach power and data cables
- Attach cabinet to safety pins



Push cabinet into mount until seated



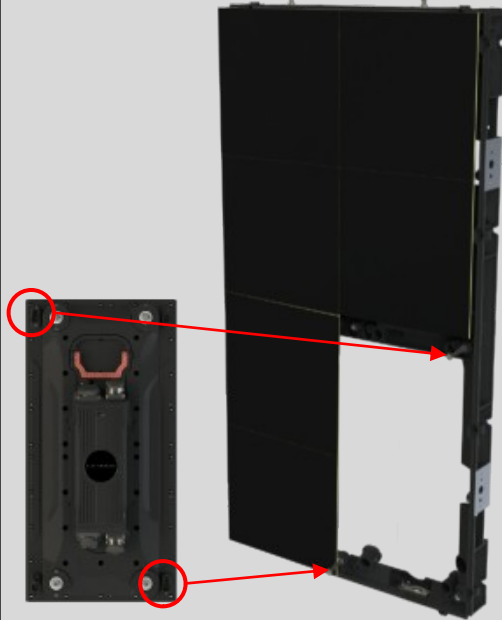
Tighten at attachment points using [magnetic adjustment tool \(same as DL2\)](#)

Leyard VersaLight Series Cabinet Installation/Service

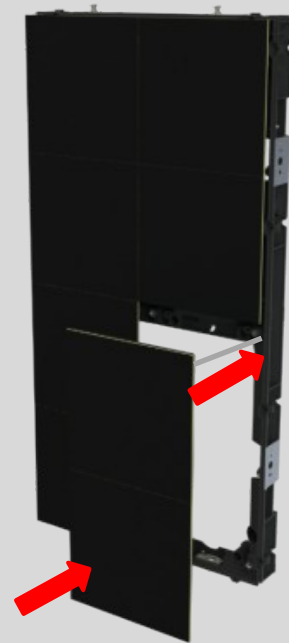
Outdoor 4.0, 6.0, 8.0 – Standard and Rental Versions are ■ ■ Universal Access



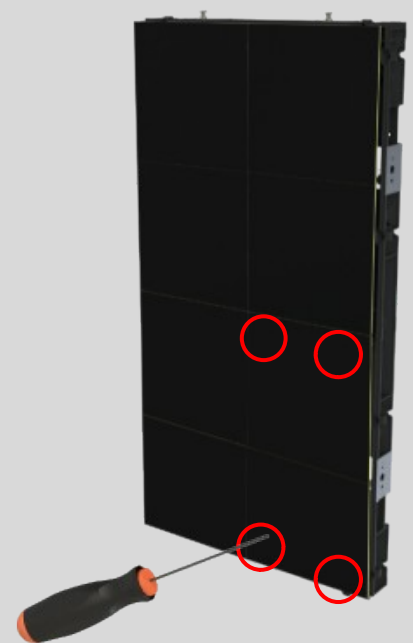
Extend captive safety pins out from mount



- Attach power and data cables
- Attach cabinet to safety pins



Push cabinet into mount until seated



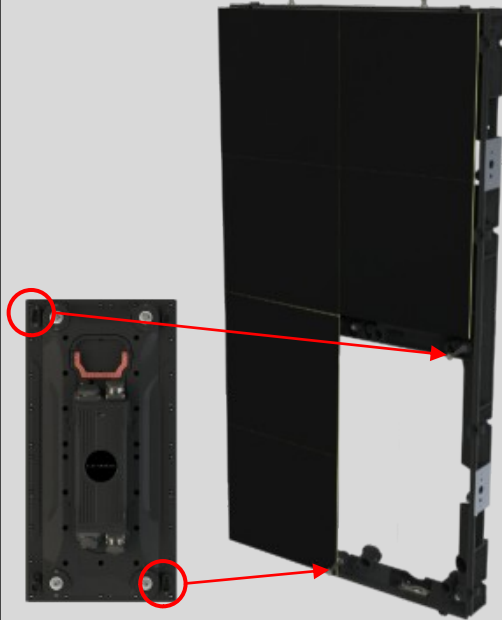
Tighten at attachment points using **hex tool**

Leyard VersaLight Series Cabinet Installation/Service

Outdoor 4.0, 6.0, 8.0 – Standard and Rental Versions are ■ ■ Universal Access



Extend captive safety pins out from mount



- Attach power and data cables
- Attach cabinet to safety pins



Push cabinet into mount until seated



Tighten at attachment points using **driver tool**

No-Mount Option for Leyard VersaLight Series

All cabinets are available individually with no mount included

- Mechanical mounting specifications will be provided to support custom mount designs



Colorlight Sender

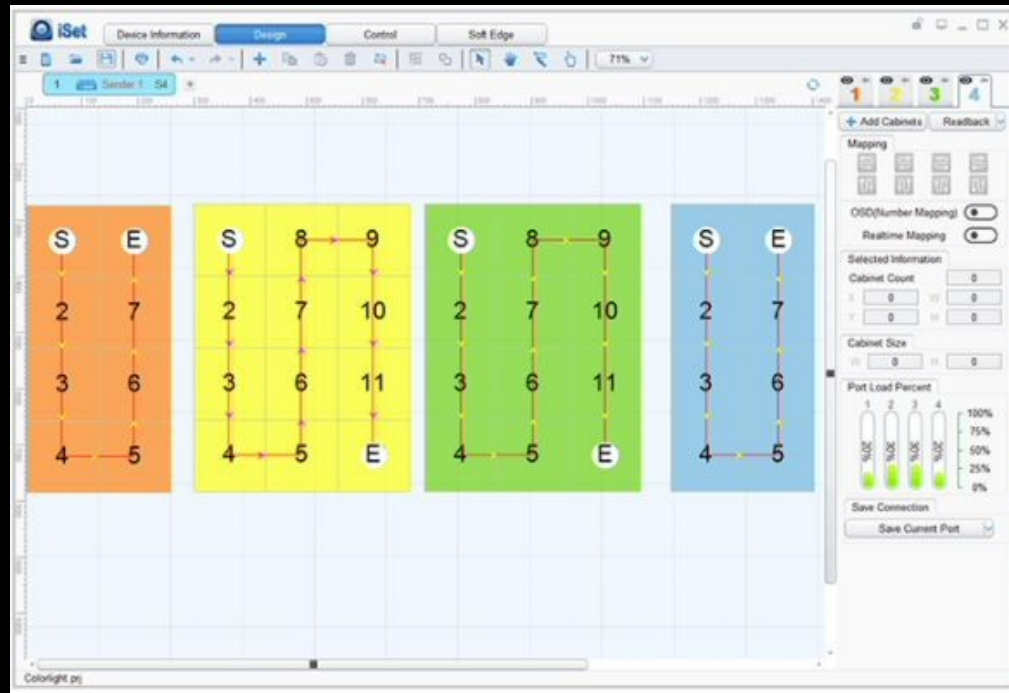


- HDMI and DVI inputs (HDCP compliant)
- HDMI Loop output
- Supports any resolution totaling 2.3M pixels
 - Max horizontal = 4096 pixels
 - Max vertical = 2560 pixels
- 60Hz support
- (4) Gigabit Ethernet outputs
- LAN port for serial control
- Dual USB 2.0 ports for PC control and controller cascading
- Brightness and chromaticity adjustment
- Fiber Option

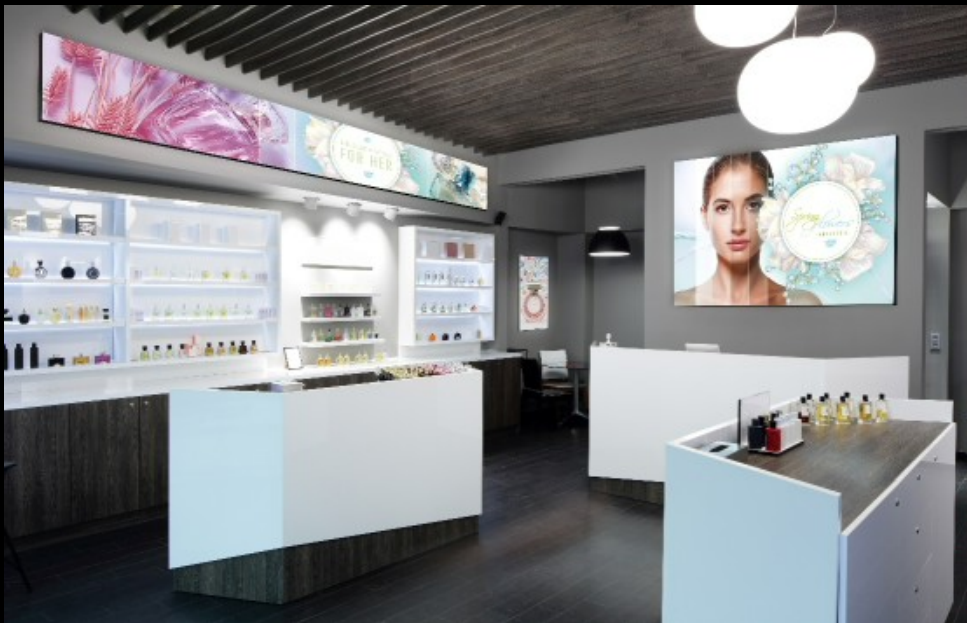
Colorlight iSet Control Software

Video Wall Image Control

- Windows-based app for set-up and image control
- Brightness control
- RGBW adjustment
- Seam correction
- Gamma and gray scale adjustment
- Switch between HDMI/DVI input and test patterns
- Signal routing design tool

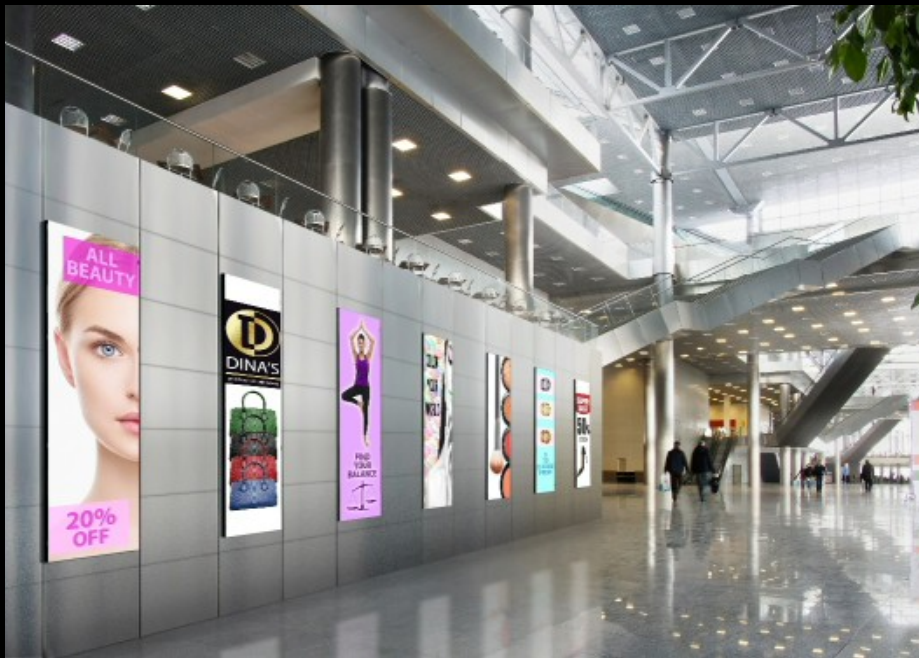


Retail and Hospitality



- Leyard VersaLight Series LED cabinet footprint is ideal for space-premium installations
- Columns or banners can be as narrow as 240mm | 9.5in

Retail and Hospitality



- Leyard VersaLight Series outdoor models are IP65 rated and offer a 6000-nit brightness
- Suitable for outdoor or window-facing high ambient light conditions

LED Video Wall Product Comparison

Leyard VersaLight Series vs. Leyard DirectLight (DL2)

Leyard VersaLight Series



Indoor Pitch: 2.5, 4, 6 Outdoor Pitch: 4, 6, 8

- Larger pitches
- Indoor and outdoor versions
- Available with IP65* protection rating
- Onboard power supplies
- Self-supporting mount structure that allows for hanging or stacking walls
- Smaller cabinets allow for columns or banners as narrow as 240mm and smaller facets on curved walls
- Lower cost per square meter
- Outdoor models offer front and rear serviceability

Leyard® DirectLight® (DL2)



Pitch: 0.7, 0.9, 1.2, 1.5, 1.8, 2.5

- Finer pitches
- 16:9 aspect ratio allows all pitches to hit Full HD, 4K, 8K exactly
- Supports 90° outside corners with only 15mm gap
- External remote power supply
- Power and video redundancy
- Front serviceability
- Indoor only

*IP65 Enclosure - IP rated as "dust tight" and protected against water projected from a nozzle

LEYARD PLANAR

LED Video Wall Product Comparison

Leyard VersaLight Series vs. Leyard CarbonLight CLI Series

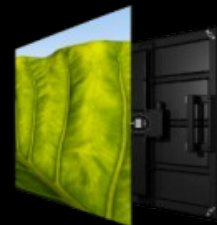
Leyard VersaLight Series



Indoor Pitch: 2.5, 4, 6 Outdoor Pitch: 4, 6, 8

- Larger pitches: 6.0 and 8.0mm
- Indoor and outdoor versions
- 1000-nit brightness
- Smaller cabinet size supports wider range of wall designs
- Mounting options: wall, ceiling, hanging, stacking
- Landscape or portrait
- Indoor models front serviceability
- Outdoor models offer front and rear serviceability

Leyard® CarbonLight™ CLI Series



Pitch: 1.9, 2.6, 3.9, 5.2

- Finer pitches: 1.9mm
- Indoor versions only
- 600-nit brightness
- Lighter
- Larger cabinet
- Fewer mounting options
- Not stackable
- Single and dual power options
- Front and rear serviceability

LED Video Wall Product Comparison

Leyard VersaLight Series vs. Leyard CarbonLight CLO Series

Leyard VersaLight Series



Indoor Pitch: 2.5, 4, 6 Outdoor Pitch: 4, 6, 8

- Wider range of pitches – 4 pitches between 2.5 and 8.0
- Smaller cabinet size supports wider range of wall designs
- Mounting included and allows for wall, ceiling, hanging, stacking
- Rated for fixed outdoor operation
- No power redundancy
- Front and rear serviceability

Leyard® CarbonLight™ CLO Series



Pitch: 3.9, 5.2, 7.8

- Lighter
- Larger cabinet
- Fewer mounting options
- Not stackable
- Dual redundant power supply
- Rear serviceability only

LED Video Wall Product Comparison

Leyard VersaLight Series vs. Leyard TVF Series

Leyard VersaLight Series



Indoor Pitch: 2.5, 4, 6 Outdoor Pitch: 4, 6, 8

- Standard pitch
- Indoor and Outdoor
- Higher brightness 1000-nit indoor, 6000-nit outdoor
- Smaller cabinet size supports wider range of wall designs
- Mounting included and allows for wall, ceiling, hanging, stacking
- Landscape or Portrait
- Front or rear service
- Optional cam-action quick-lock for rental applications

Leyard® TVF Series



Pitch: 1.5, 1.8, 2.5

- Fine pitch
- 600-nit brightness
- 16:9 optimized aspect ratio
- Cable-less design
- Available sooner
- Wall mount optional

Leyard VersaLight Series

Key Selling Points

- Versatile, 240x480mm LED cabinet
- 1x1 mount for small areas or 2x2 mount for larger walls
- Front access installation and service on all models
- Lightweight, die-cast aluminum frame supports wall or ceiling-mounting, hanging, stacking
- ADA-compliant installation depth (less than 4 inches)
- Standard or Rental versions available
- Indoor or Outdoor (IP65-rated) versions available
- Range of standard pitches (2.5, 4.0, 6.0, 8.0)
- Competitive price



THANK YOU

LEYARD. PLANAR.